

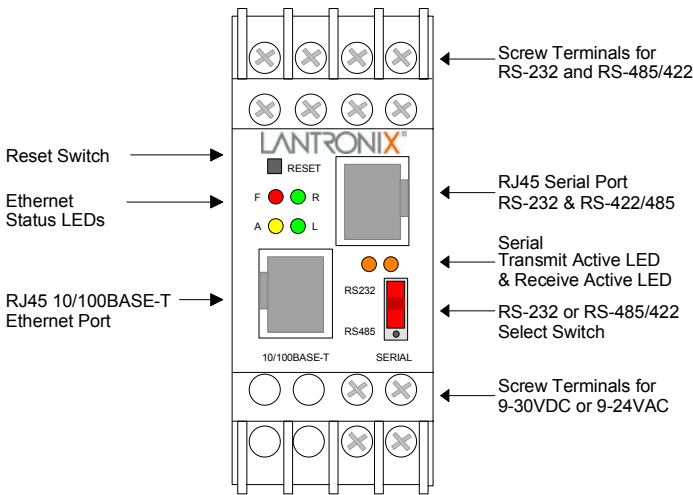
DSTni-XPress DR Quick Start

DSTni-XPress DR/DR-IAP

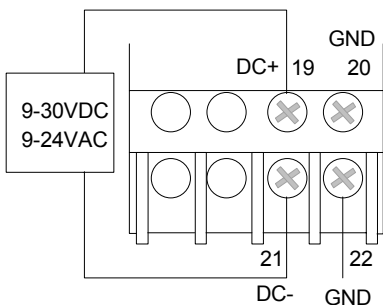
DSTni-XPress DR and DSTni-XPress DR-IAP are members of the Lantronix family of Device Servers. DSTni-XPress DR-IAP devices allow you to install the protocol suitable for your automation application.

When you complete the setup, you can Ethernet-enable a serial device by connecting it to the serial port. (See the DSTni-XPress DR User Guide on the software CD.)

Quick Connect



1. Connect the XPress DR to the network through the Ethernet port. (The unit must be on the same network as your computer.)
2. Connect power (9-30VDC or 9-24VAC).



3. Verify that the green Link LED is lit.

Setup

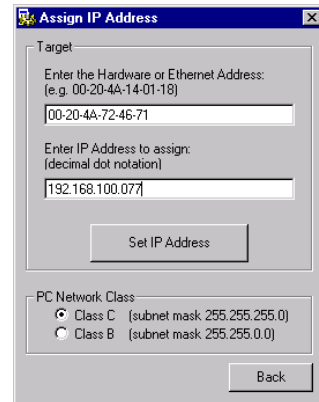
Follow these steps to quickly setup the device.

Step 1: Start DeviceInstaller

1. Insert the software CD into your CD-ROM drive. When the main window appears, click the Device Installer button and follow the instructions on the screen.
2. Click the Start button, and then point to Programs. Point to the folder that contains Device Installer, then click Device Installer. The Device Installer main window will appear.


Step 2: Assign an IP Address

1. Click the **Assign IP** icon.  The Assign IP Address window displays.




2. In the **Enter the Hardware or Ethernet Address** field, type the Ethernet address (MAC address) listed on the Device Server label (on the right side of the unit).
3. In the **Enter IP Address to assign** field, type the IP address of the Device Server (xxx.xxx.xxx.xxx format). Select a **PC Network Class**.
4. Click the **Set IP Address** button. The *Assign IP Successful* message displays. Click **OK**.

Step 3: Search the Network

1. Click the **Search Network** icon . The Search Network window displays.
2. Click the **Start Search** button. The message *Response from xxx.xxx.xxx.xxx* appears in the window. Click the **Save** button and a device saved message appears. Click **OK** then the **Back** button. The IP Address and Hardware Address appear in the window.

Step 4: Pinging Devices


- From the main DeviceInstaller window, select the installed device from the list, then click the **Ping**

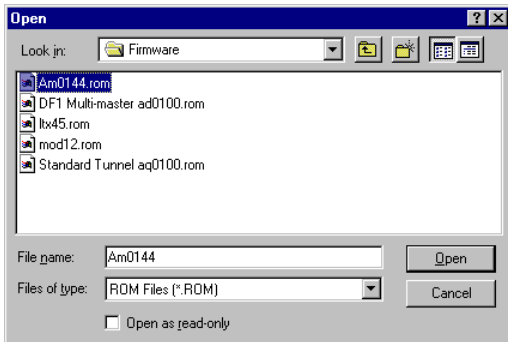
Device icon  A reply from the selected device indicates an active device. An error message indicates a problem with the network. See the user manual for troubleshooting network problems.

- From the Ping Device window, you can ping devices not listed in the main window by entering a new address in the IP address field.

DSTni-XPress DR-IAP devices allow you to install a protocol such as MODBUS Bridge for your automation application. Skip Step 5 if you have a DSTni-XPress DR..

Step 5: Upgrade the Firmware


- Click the **Upgrade Firmware** icon . The Upgrade Firmware window displays. The IP address displays in the first field.
- Select the **current** protocol using the list button in the **Existing Firmware** field. (factory default = IAP Standard Tunnel)
- Click the open file icon next to the **FW File** field. A list of firmware files displays. Use the search buttons to locate the firmware files on the CD or downloaded files from the Lantronix support web page.



- Select the desired protocol and click **Open**. The selected file and path displays in the **FW File** field.
- Click **Upgrade FW File**. The *File upgrade successful* message displays. Click **OK** and close the upgrade firmware window.

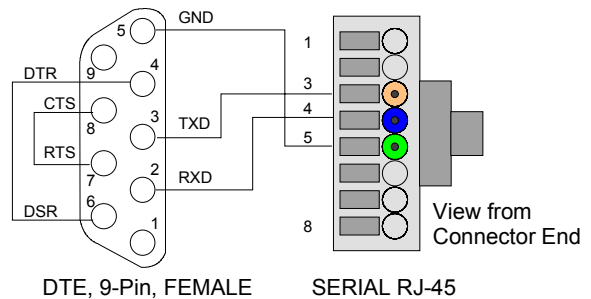
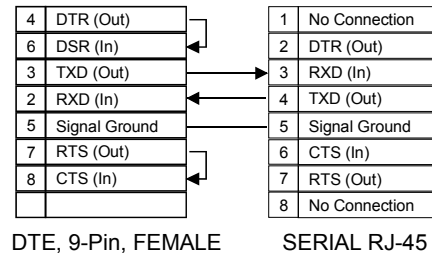
Step 6: Configure the Device

To view or update the Device Server configuration, use the Device Management window to open a Telnet connection.

- Click the **Device Management** icon . Click the Telnet to Device icon.
- When the Telnet window opens, you have **5 seconds** to press the Enter key.
- Note the firmware code and description on the first few lines.
- Review and edit the settings to match your application. When done, enter S to save the changes and Q to Quit.

Step 7: Connecting Serial Devices

The cable below is a typical PC (COM1) to DSTni-XPress DR cable using the serial RJ-45 connector. You can use the serial port to configure and test the port settings prior to connection to your automation device.



The following cable connects a typical PC (COM1) to the DSTni-XPress DR through the serial screw terminals.

